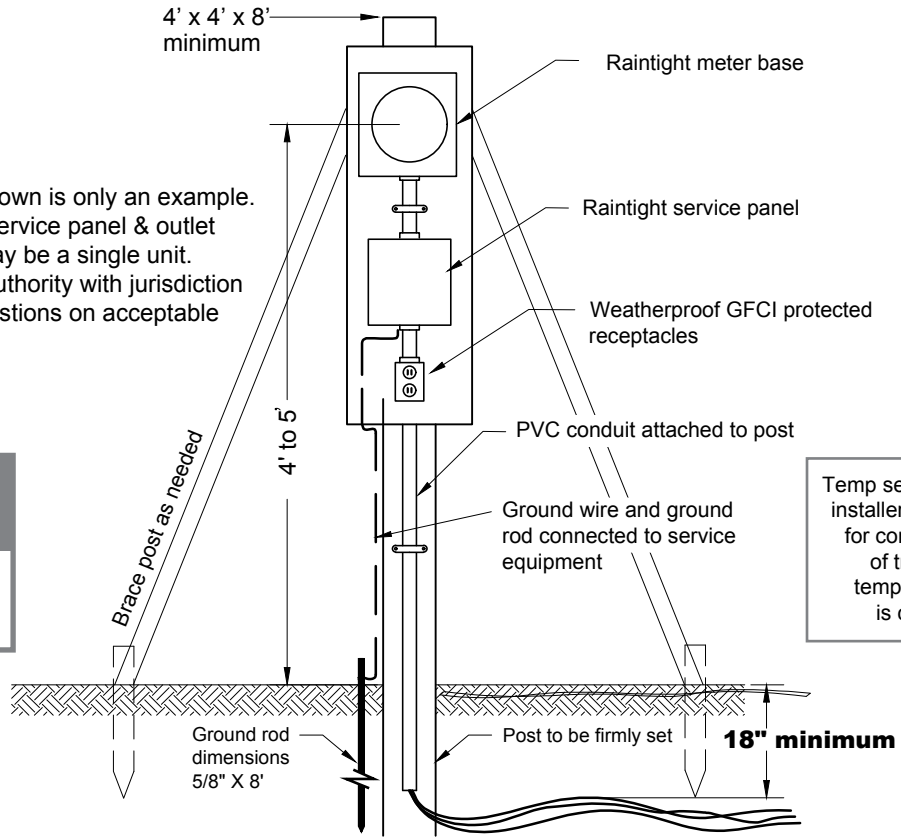


# METERED TEMPORARY ELECTRIC SERVICE - UNDERGROUND FEED

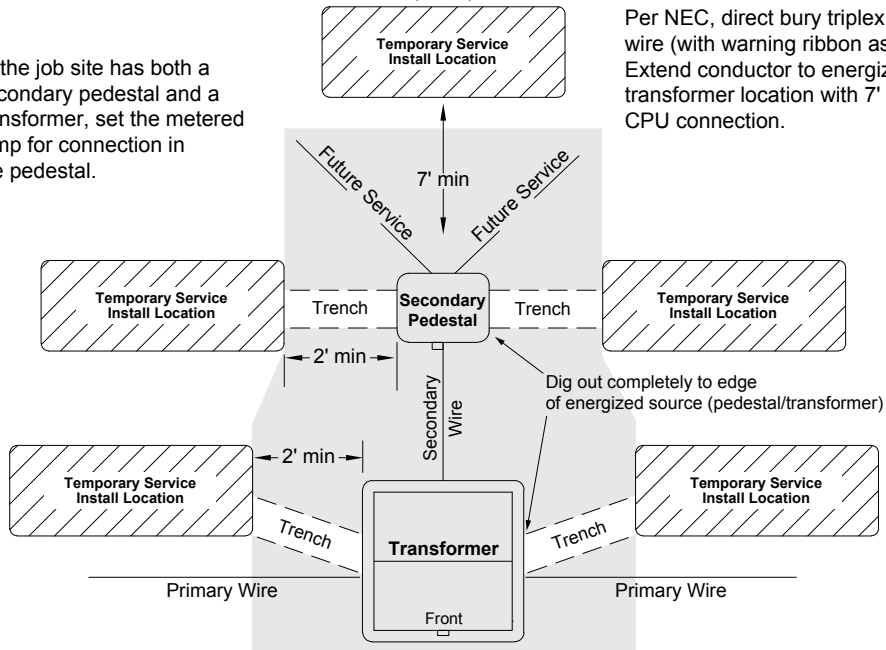
Equipment shown is only an example. Meter base, service panel & outlet installation may be a single unit. Contact the authority with jurisdiction regarding questions on acceptable equipment.

**LOCATES REQUIRED**  
**Call Before You Dig**  
 Call 811 or go to [callbeforeyoudig.org](http://callbeforeyoudig.org)



Temp service equipment installer is responsible for complete backfill of trench after temporary service is connected.

\*If the job site has both a secondary pedestal and a transformer, set the metered temp for connection in the pedestal.



Per NEC, direct bury triplex service wire (with warning ribbon as required). Extend conductor to energized pedestal/transformer location with 7' extra for CPU connection.

## DO NOT INSTALL TEMPORARY SERVICE EQUIPMENT IN GREY AREA

Temporary electric service equipment and installation must meet NEC requirements and pass inspection by the authority having jurisdiction before Clark Public Utilities can set a meter and energize the service.

**NOTE:** If source equipment is **not** energized, temporary service wire must be landed and tagged in the source facility by the contractor setting the temporary service equipment.