

**NOTES:**

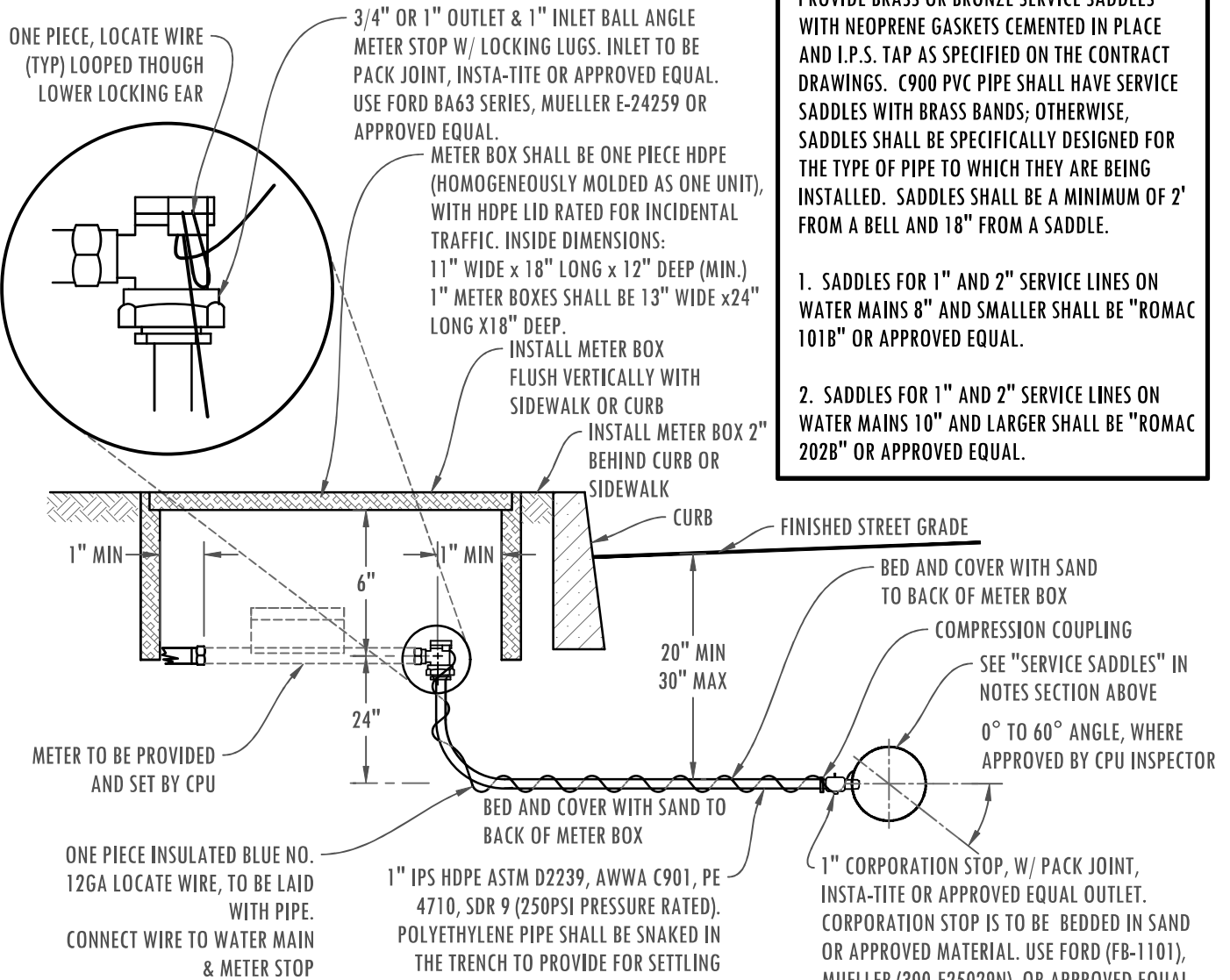
1. ALL CONSTRUCTION MATERIALS AND WORKMANSHIP SHALL CONFORM TO THE CLARK PUBLIC UTILITIES (CPU) WATER CONSTRUCTION SPECIFICATIONS, STANDARD DETAILS AND THE LATEST EDITION OF THE "STANDARD SPECIFICATIONS FOR ROAD AND BRIDGE CONSTRUCTION" PUBLISHED BY WASHINGTON STATE DEPARTMENT OF TRANSPORTATION (WSDOT).
2. A WATER UTILITY INSPECTOR SHALL BE AT THE JOB SITE DURING CONSTRUCTION OF ALL WATER FACILITIES. CONTACT 360-992-8022 TWO (2) WORKING DAYS PRIOR TO COMMENCING WORK.
3. WORK WITHIN COUNTY RIGHT-OF-WAY SHALL CONFORM WITH CLARK COUNTY PUBLIC WORKS UTILITY PERMIT REQUIREMENTS AND DETAILS. WORK WITHIN STATE RIGHT-OF-WAY SHALL CONFORM TO WSDOT UTILITY PERMIT REQUIREMENTS AND DETAILS.
4. THE LOCATION OF THE UTILITIES SHALL BE VERIFIED IN ADVANCE TO ALLOW FOR ALIGNMENT ADJUSTMENTS. CALL UTILITY LOCATES TWO (2) WORKING DAYS PRIOR TO CONSTRUCTION (1-800-553-4344).
5. A TAPPING COMPANY APPROVED BY CLARK PUBLIC UTILITIES SHALL BE USED TO MAKE ALL TAPS.
6. METER BOX ASSEMBLIES SHALL BE ARMORCAST, RAVEN, DFW OR APPROVED EQUAL.
7. NO CONNECTIONS WILL BE ALLOWED TO AN EXISTING SERVICE PRIOR TO AN APPROVED BACTERIOLOGICAL TEST. BACTERIOLOGICAL TEST SHALL PRECEDE PRESSURE TEST.
8. STUB SERVICES SHALL BE PRESSURE TESTED WITH THE MAIN LINE AND BE CAPABLE OF WITH-STANDING THE MAINS TEST PRESSURE.
9. WATER METER BOX SHALL BE PLACED IN NON-PAVED AREAS, OUT OF CONFLICT WITH DRIVEWAYS, LANDSCAPING AND OTHER UTILITIES. ALL METER BOXES PLACED IN CONFLICT AREAS SHALL BE MOVED AT CONTRACTORS EXPENSE.
10. ALL COMPRESSION FITTINGS TO HAVE STAINLESS STEEL INSERTS.

**SERVICE SADDLES:**


PROVIDE BRASS OR BRONZE SERVICE SADDLES WITH NEOPRENE GASKETS CEMENTED IN PLACE AND I.P.S. TAP AS SPECIFIED ON THE CONTRACT DRAWINGS. C900 PVC PIPE SHALL HAVE SERVICE SADDLES WITH BRASS BANDS; OTHERWISE, SADDLES SHALL BE SPECIFICALLY DESIGNED FOR THE TYPE OF PIPE TO WHICH THEY ARE BEING INSTALLED. SADDLES SHALL BE A MINIMUM OF 2' FROM A BELL AND 18" FROM A SADDLE.

1. SADDLES FOR 1" AND 2" SERVICE LINES ON WATER MAINS 8" AND SMALLER SHALL BE "ROMAC 101B" OR APPROVED EQUAL.

2. SADDLES FOR 1" AND 2" SERVICE LINES ON WATER MAINS 10" AND LARGER SHALL BE "ROMAC 202B" OR APPROVED EQUAL.



REVISED JANUARY 2025

<b>FILE NAME</b>		<b>STANDARD 1" WATER SERVICE WITH 5/8", 3/4" OR 1" WATER METER</b>	
<b>1W</b>			
<b>SHEET</b>	<b>1 OF 1</b>	<b>STANDARD DETAILS</b>	